

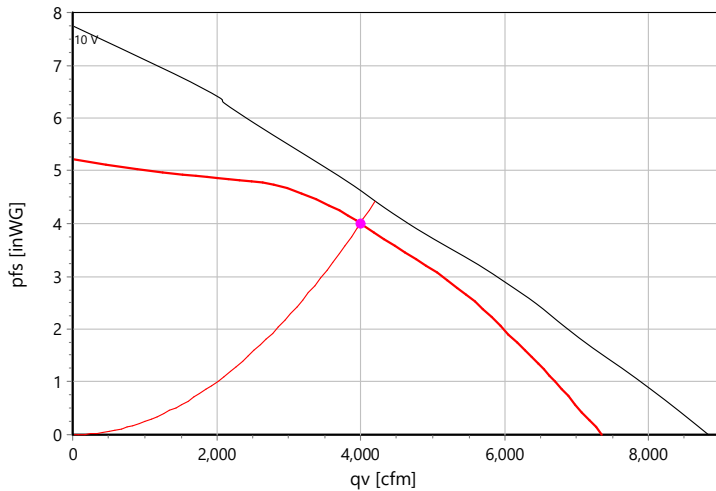


Type: **GKHM 500-CIG.143.6IF IE Gen3+**

Art.-No.: N88-50604



**Curve:**



p: 1.15 kg/m<sup>3</sup>; Data @ 230 V

**Operating Point:**

q <sub>v</sub>	4000	cfm
p <sub>fs</sub>	4	inWG
p <sub>fd</sub>	0.2	inWG
η <sub>ed,fs</sub>	63	%
η <sub>ed,tot</sub>	65	%
P <sub>ed</sub>	2.98	kW
I	8	A
n	1932	r/min
L <sub>W</sub> A <sub>A,OUT</sub>	87	dB(A)
U <sub>c</sub>	7.8	V
v	24.2	ft/s
SFP	1583	Ws/m <sup>3</sup>
FEI	1.4	
t <sub>R,OP</sub>	60	°C

**ErP-Data:**

(EU) Nr. 327/2011	(Lot11)	
q <sub>v</sub>	5866	cfm
p <sub>fs</sub>	5.04	inWG
η <sub>ed,fs</sub>	68.3	%
P <sub>ed</sub>	5.35	kW
n	2370	r/min
N	71	
v	35.5	ft/s

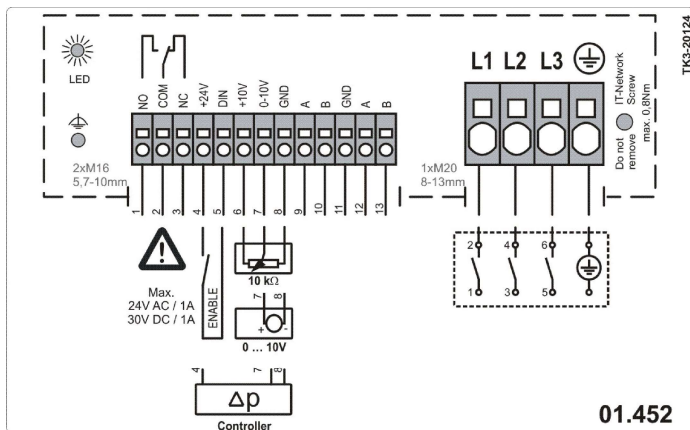
**Nominal Data:**

U [V]	f [Hz]	Data @ [V]	P <sub>ed</sub> [kW]	I <sub>N</sub> [A]	n <sub>N</sub> [r/min]	t <sub>R</sub> [°C]	k <sub>10</sub> [m <sup>2</sup> /h]	Eff.-Rating	IP	m [kg]
3~380-480	50/60	230	3.47	9.3	2030	-25 .. +60	186	IE4	IP54	57

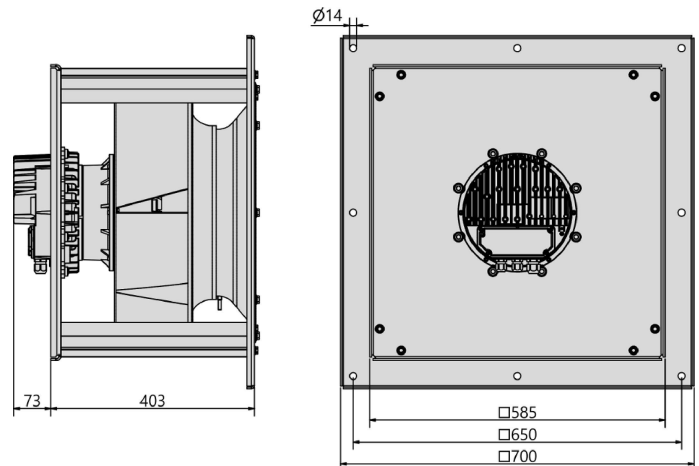
**Sound Data:**

Frequency	Σ	63Hz	125Hz	250Hz	500Hz	1kHz	2kHz	4kHz	8kHz	Distances	1 m	4 m
L <sub>w</sub> A(A,in) [dB(A)]	82	46	60	74	76	75	75	74	66	L <sub>p</sub> A(A,in) [dB(A)]	75	64
L <sub>w</sub> A(A,out) [dB(A)]	87	53	65	79	81	81	80	77	72	L <sub>p</sub> A(A,out) [dB(A)]	80	69

**Wiring Diagram:**



**drawing:**



Data @ 208V: 3,14 kW; 9,2 A; 1970 1/min